

Small Size R.O. Deionizer

Model: TC-050-MRO-ST40



T&C Technical



Features

- ★ Water quantity 50L/h & storage tank
- ★ Automatic operation with panel display & control
- ★ Simple maintenance
- ★ Compact size & movable

Application

Chemical analysis water

Humidifying water

Washing water

Rinsing water

Drinkable water

Ultra-pure water



Drinking water



Humidifying water for air conditioner

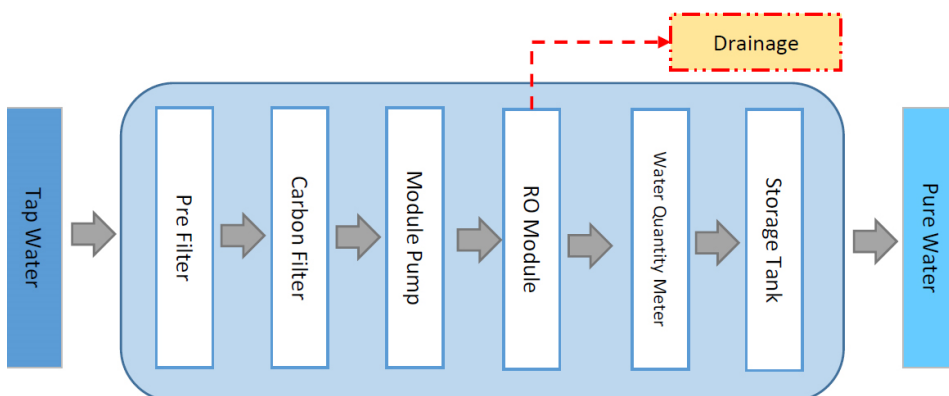


Humidifying water for printing machine



Cleaning water for medical appliance

Manufacturing Process

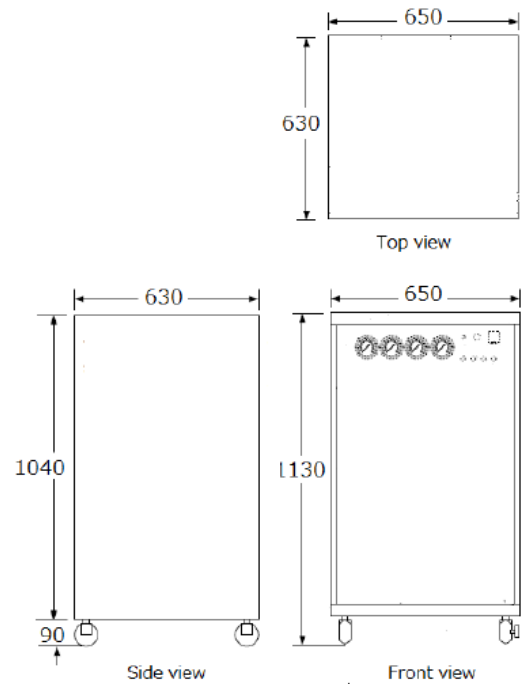


90~99% of inorganic & organic substance, micro organic of raw water is efficiently eliminated.

■ Specifications

Model	TC-050-MRO-ST40
Water quantity	Temperature of water 25°C 50 (L / hr)
	Temperature of water 10°C 26 (L / hr)
Elimination efficiency	90 ~ 99 (%)
External dimensions	W650 × D630 × H1130 (mm)
Water storage tank (built in type)	Pressure type water tank (storage capacity 40L)
Function	Water supply pressure alarm Alarm display of pump Water quality display lamp Automatic function of initial drainage
R.O. module	1 module
Pre-filter	10 inch wind filter × 1
	10 inch carbon filter × 1
Production Supply / Drain outlet	Rc 1/2
Power supply voltage	AC200V 50/60Hz 5A

■ Measurement (mm)



■ Option and Accessories

We provide required accessories for the system based on usage and quantity.

